



OPERATOR'S MANUAL AND PARTS LIST

38" Towed Lawn Sweeper – THTLS38

Spares & Support: 01793 333212

www.thehandy.co.uk

Before use please read & understand this manual, paying particular attention to the safety instructions.

SAFETY RULES

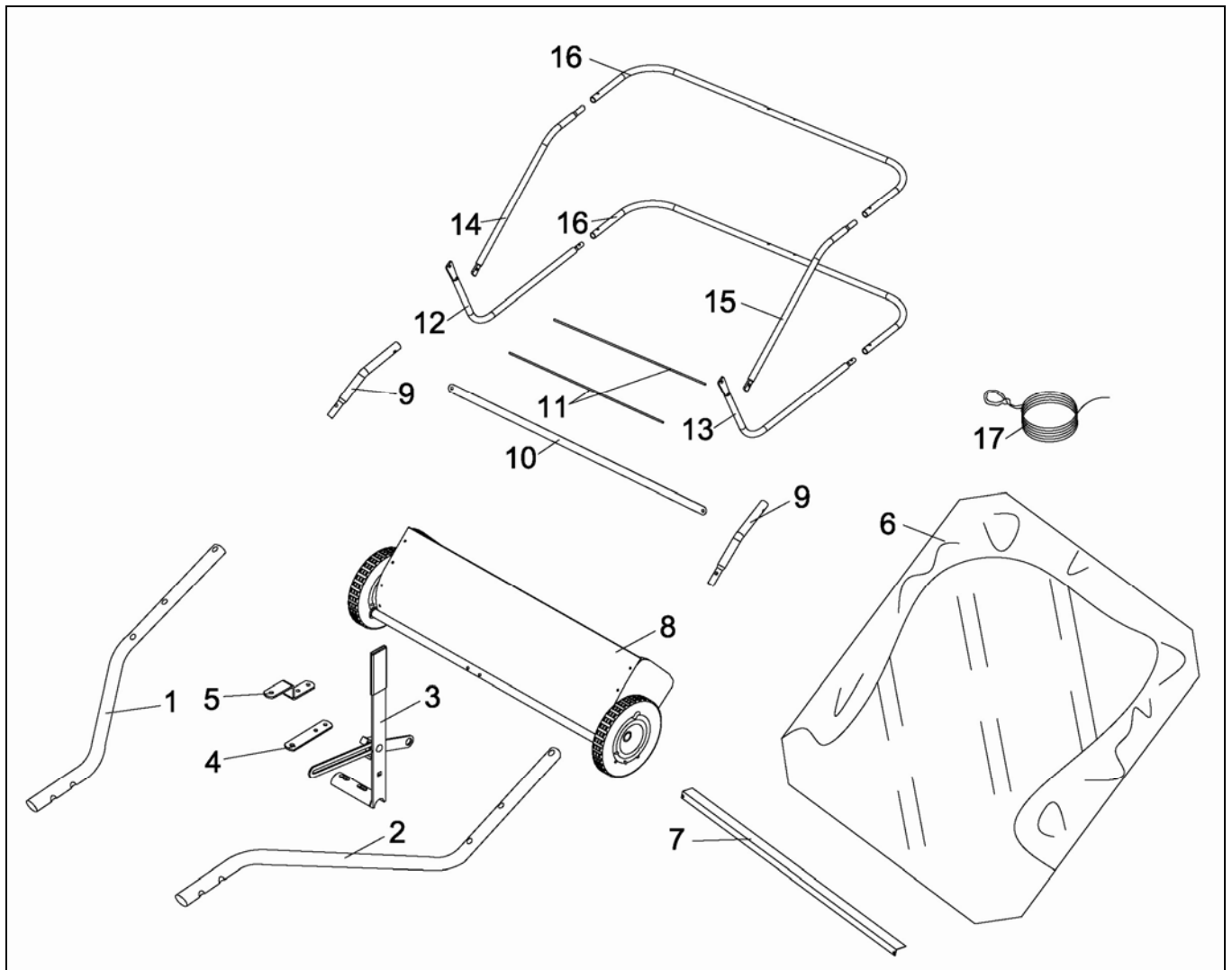
Remember, any power equipment can cause injury if operated improperly or if the user does not understand how to operate the equipment. Exercise caution at all times when using power equipment with this product.

1. Read the vehicle and sweeper owner's manuals and know how to operate your vehicle and sweeper before using the sweeper attachment. Always instruct other users before they operate the sweeper.
2. Do not permit children to operate the sweeper.
3. Do not permit anyone to ride on the sweeper.
4. Never attach the hopper rope to any part of your body or clothing! Never hold onto the rope while towing the sweeper! Attached the rope to the towing vehicle to keep it away from wheels and rotating parts.
5. Operate the sweeper at reduced speed when on rough terrain, near ditches and on hillsides to prevent loss of control.
6. Speed limit: Maximum speed is 6mph.
7. This sweeper is not designed for street or highway use. Watch for traffic when sweeping near roadways.
8. This product is used for lawn sweeping of objects such as leaves, branches, etc. not for heavy and sharp objects like stones or metal objects.
9. Do not exceed the maximum capacity of the hopper.
10. Vehicle braking and stability may be affected by the attachment of this sweeper. Do not fill the sweeper to maximum capacity without checking the capability of the towing vehicle to operate and stop safely with the sweeper attached. Stay off of steep slopes.
11. Stop and inspect the vehicle and sweeper for damage after striking an object. Repair any damage before continuing operation.
12. Keep the sweeper away from fire. Fire may damage the brushes and hopper bag and could cause the bag and its contents to burn.
13. Before storing the sweeper, always empty the hopper bag to avoid spontaneous combustion.
14. Do not use the sweeper in bad weather conditions such as strong wind etc.
15. Replace the hopper when it is worn out, a damaged hopper may throw objects out of the sweeper.
16. Axle lubrication needs to be added before each usage.

WARNING

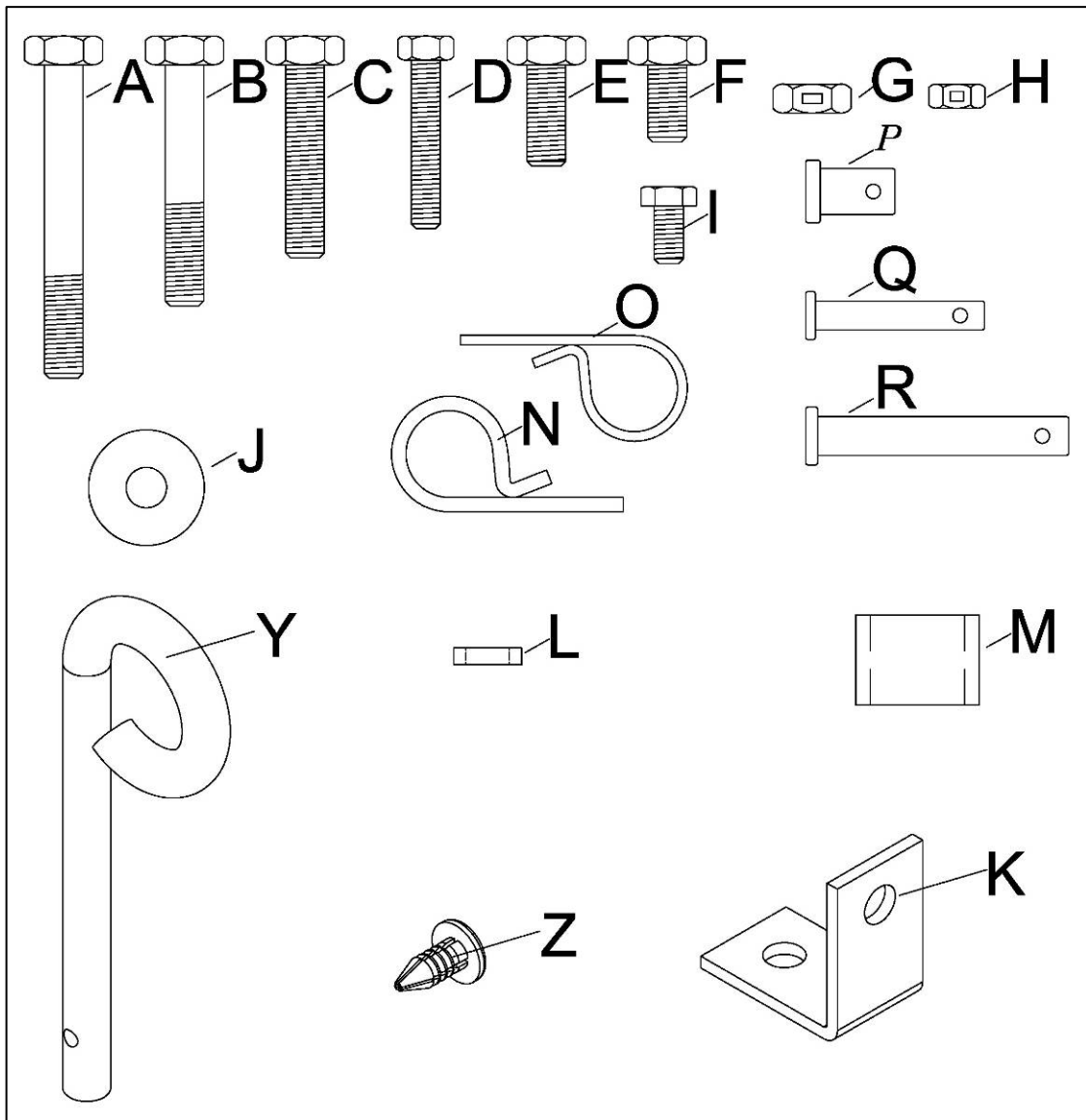
The warnings, cautions, and instructions outlined in this instruction manual cannot cover all possible conditions or situations that may occur. The operator must use their own common sense and be cautious.

CARTON CONTENTS (Parts in Carton)



1. Hitch Tube R.H
2. Hitch Tube L.H.
3. Handle Assembly
4. Hitch Bracket (straight)
5. Hitch Bracket
6. Hopper Bag
7. Connecting Rod
8. Sweeper Housing Assembly
9. Bag Arm Tube (2)

10. Bag Frame Strap
11. Hopper Support Rod (2)
12. Lower Hopper Side Tube R.H
13. Lower Hopper Side Tube L.H
14. Upper Hopper Side Tube R.H.
15. Upper Hopper Side Tube L.H.
16. Rear Hopper Tube (2)
17. Rope



REF.	QTY.	DESCRIPTION	REF.	QTY.	DESCRIPTION
A	2	Hex Bolt M8x65	K	1	Angle Bracket
B	2	Hex Bolt M8x50	L	1	Adjustable Pole Spacer
C	2	Hex Bolt M8x40	M	2	Hitch Spacer
D	4	Hex Bolt M6x35	N	5	R Pin Ø3
E	1	Hex Bolt M8x20	O	4	R Pin Ø2
F	1	Hex Bolt M8x16	P	2	Clevis Pin Ø9.5x25
G	8	Nylon Lock Nut M8	Q	4	Clevis Pin Ø6x37
H	6	Nylon Lock Nut M6	R	2	Clevis Pin Ø8x59.5
I	2	Hex Bolt M6x12	Y	1	Hitch Pin
J	1	Big Flat Washer Ø8	Z	4	Plastic Plug

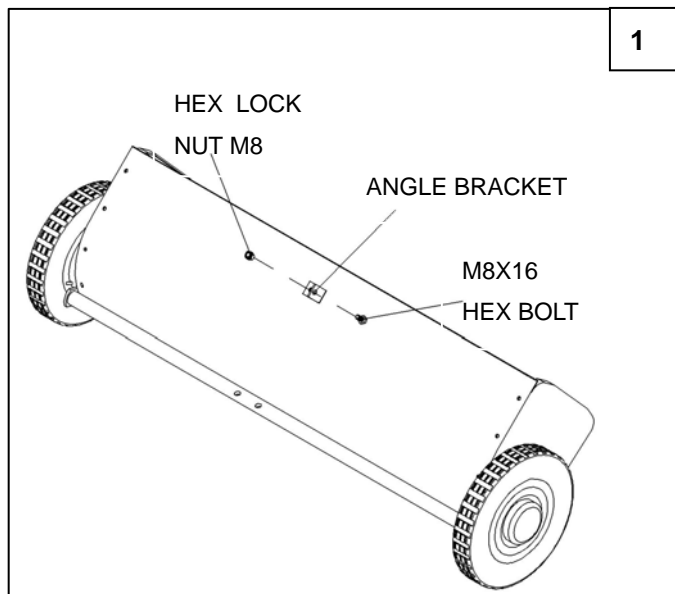
ASSEMBLY

REMOVE THE HARDWARE PACK AND ALL LOOSE PARTS FROM THE CARTON AND VERIFY THAT ALL THE PARTS AND FASTENERS SHOWN ON THE LAST PAGE ARE INCLUDED.

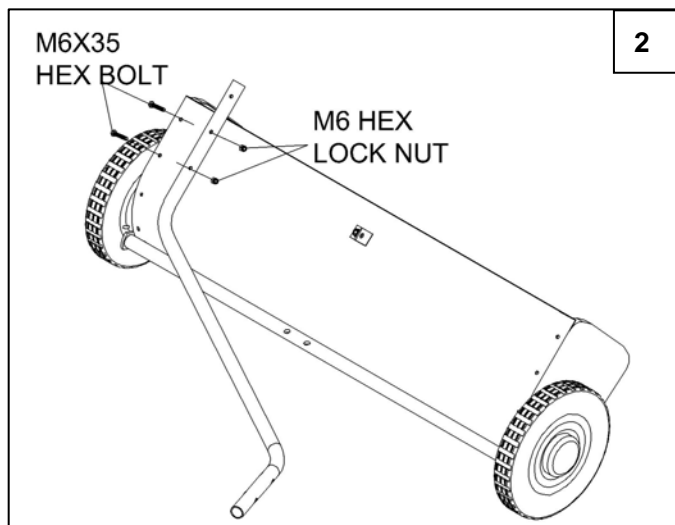
ASSEMBLY OF THE SWEEPER

Note: right hand (R.H.) and left hand (L.H.) are determined from the operators' position while seated on the Tractor.

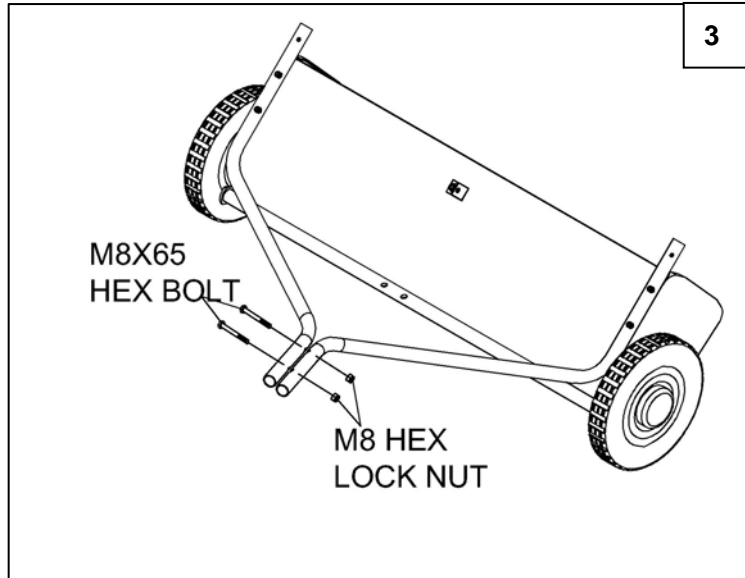
1. **(Figure 1)** Assemble the angle bracket to the sweeper housing using an M8x16 hex bolt and an M8 hex lock nut. Make sure the bracket is attached as shown and aligned straight with the housing before tightening.



3. **(Figure 2)** Assemble the R.H Hitch Tube to the sweeper housing using an M6x35 Hex Bolt and M6 Lock Nut. Do not tighten yet. Repeat for the L.H hitch tube.



4. **(Figure 3)** Fasten the hitch tubes together using two M8x65 Hex Bolts and M8 Lock Nuts. **Do not tighten yet.**

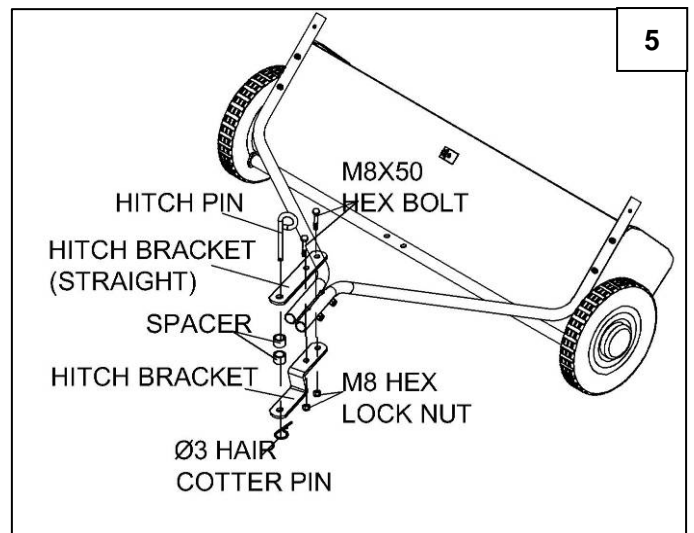
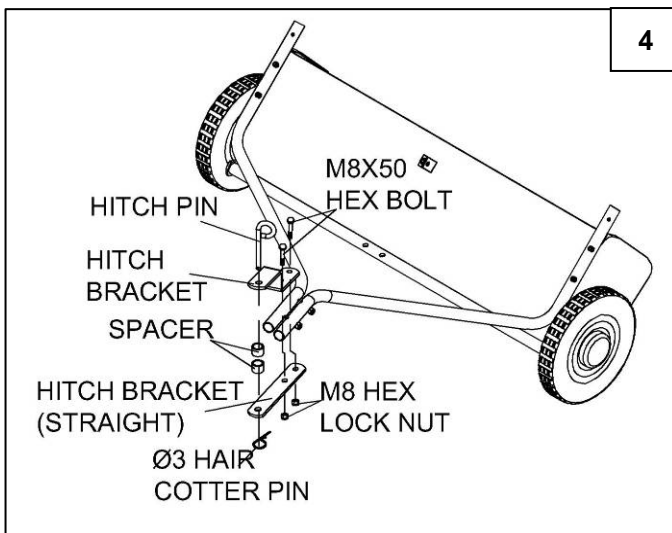


If your tractor hitch has 279mm to 330mm ground clearance refer to figure 4. If your tractor hitch has 203mm to 279mm ground clearance refer to figure 5.

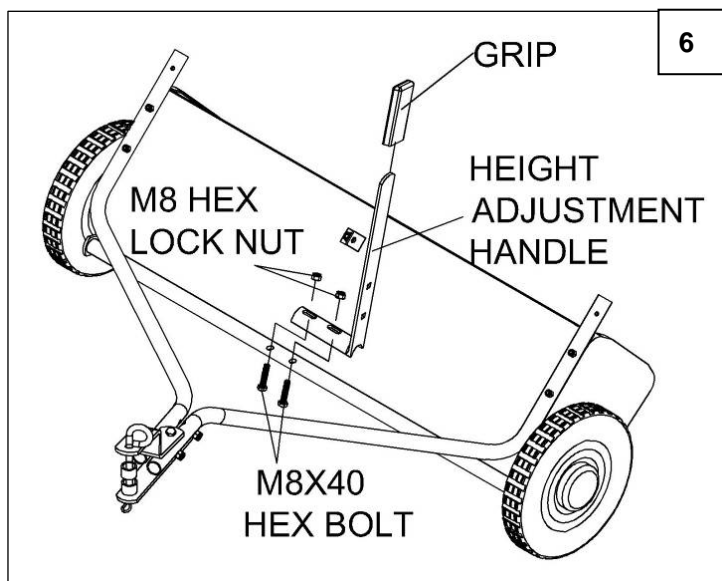
5. **(Figure 4 or 5)** Attach the hitch brackets to the hitch tubes using two M8x50 hex bolts and M8 hex lock nuts. The bolts should be inserted either side of the front hitch tube bolt. **Do not tighten yet.**

6. Tighten the four bolts fastening the hitch tubes to the sweeper housing. Next, tighten the two bolts fastening the ends of the hitch tubes together. Finally, tighten the two bolts fastening the hitch brackets to the hitch tubes.

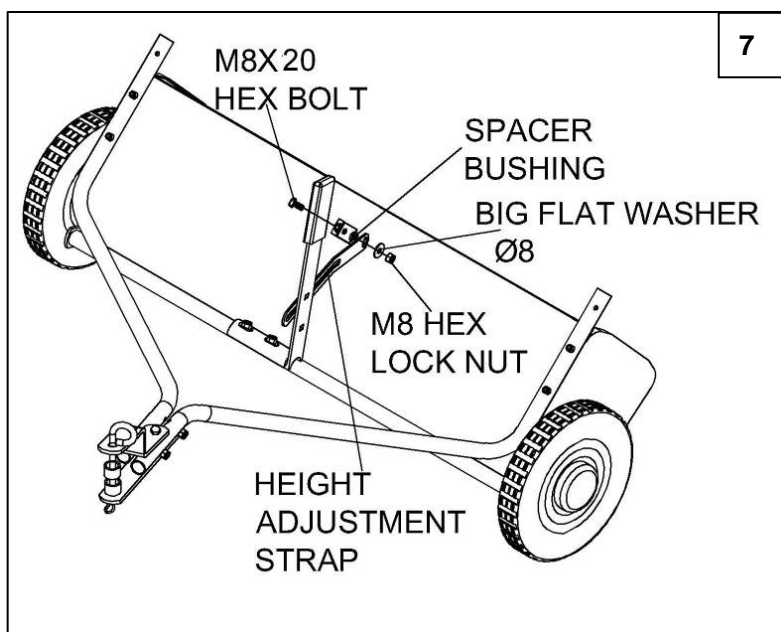
7. **(Figure 4 or 5)** Insert the hitch pin through the spacers and hitch brackets, and secure with the hair cotter pin.



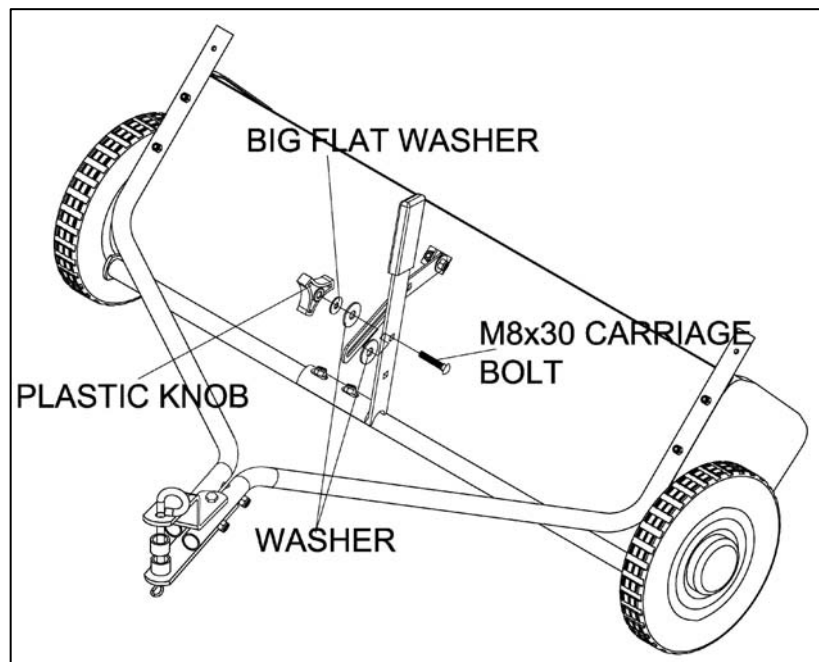
8. **(Figure 6)** Attach the height adjustment handle to the height adjustment tube as shown in figure 6. Use two M8x40 hex bolts and M8 lock nuts. **Do not tighten yet.**



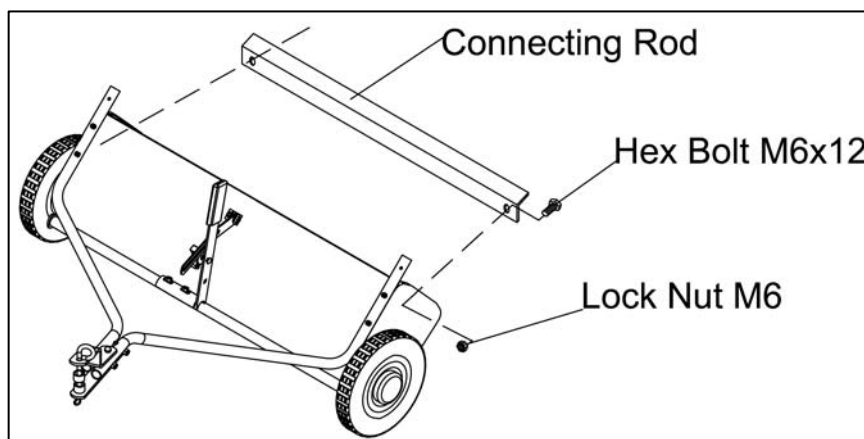
9. **(Figure 7)** Insert an M8x20 hex bolt through the angle bracket. Place onto the bolt (in order) the spacer bushing, the height adjustment strap, an Ø8 big flat washer and an M8 hex lock nut. **Tighten.**



10. **(Figure 8)** Insert an M8x30 carriage bolt through the height adjustment handle. Place on the bolt in this order a wear washer, the height adjustment strap, another wear washer, a big flat washer and finally a plastic knob. Tighten the nuts securing the height adjustment handle.

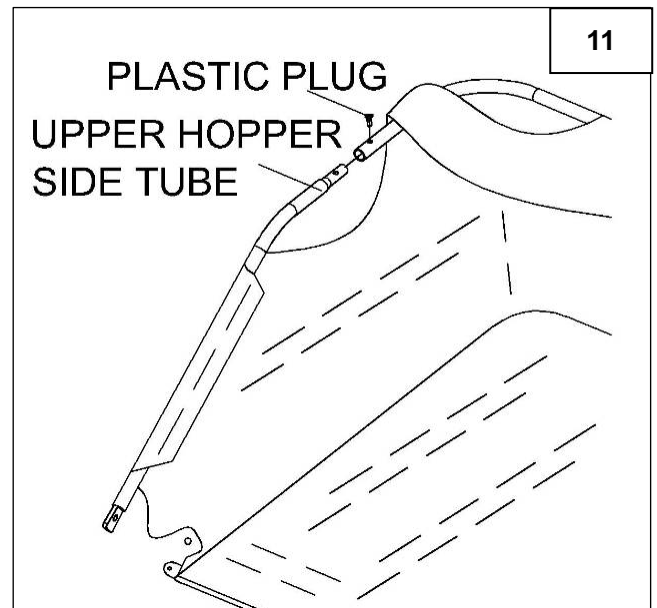
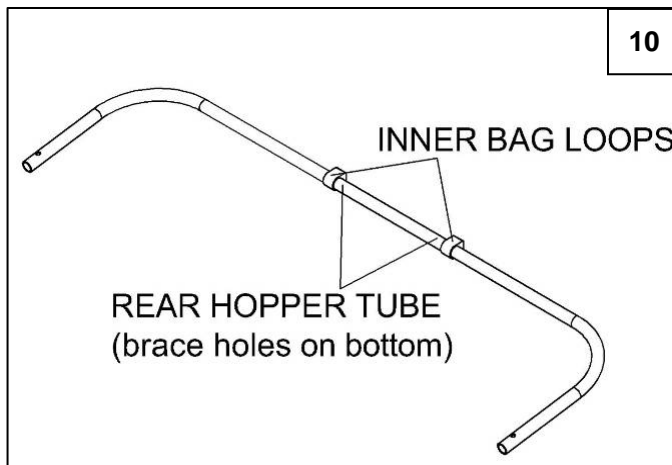


11. **(Figure 9)** Assemble the Connecting Rod to the sweeper housing by using two sets of M6x12 Hex Bolts and M6 Lock Nuts.

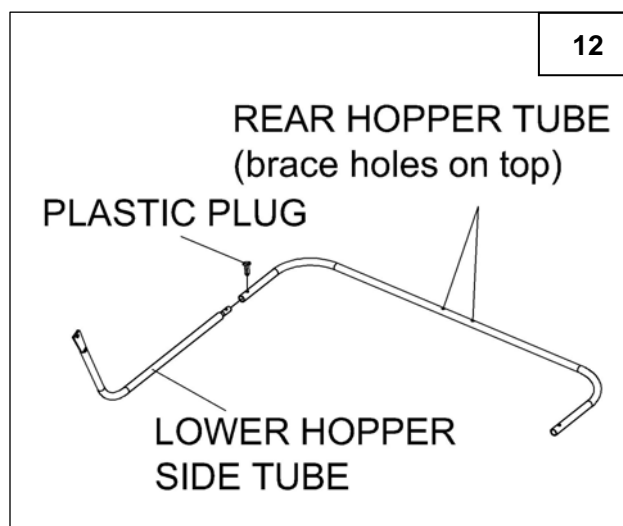


HOPPER BAG ASSEMBLY INSTRUCTIONS

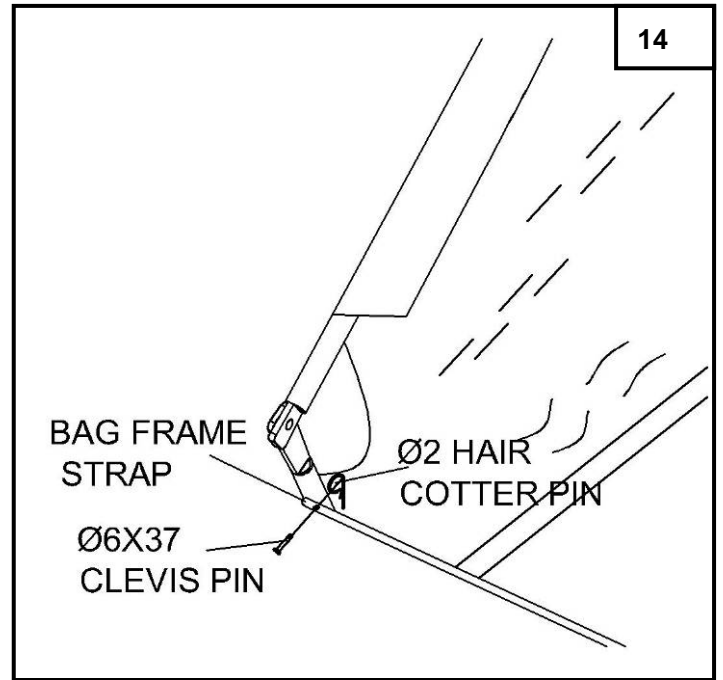
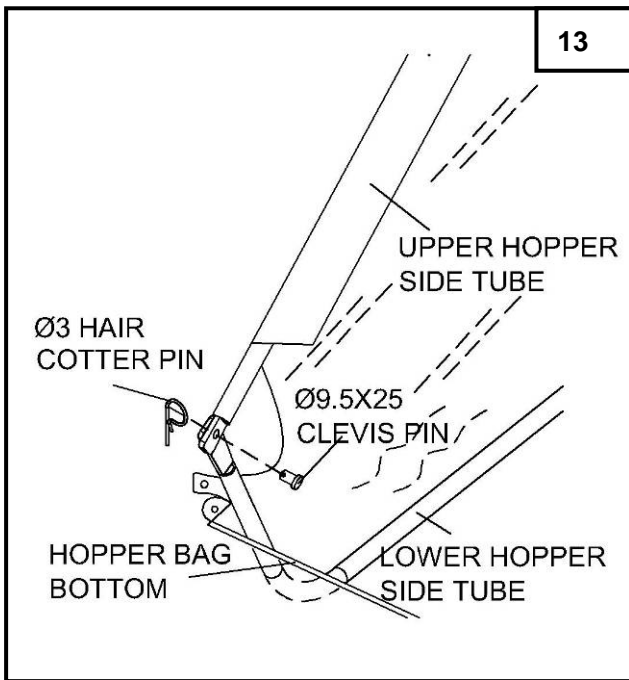
1. **(Figure 10)** Turn a rear hopper tube so that the brace holes in the middle of the tube face down. Slide the tube through the two loops sewn into the top rear seam inside the hopper bag.



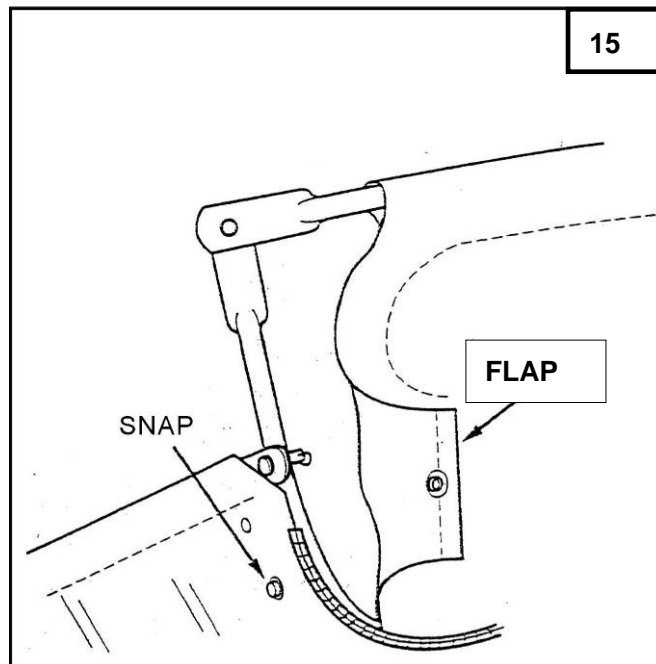
2. **(Figure 11)** Insert the two upper hopper side tubes through the stitched flaps on each side of the hopper bag.
3. **(Figure 11)** Attach the ends of the rear hopper tubes onto the ends of the upper hopper side tubes.
4. **(Figure 12)** Turn the second rear hopper tube so that the brace holes in the middle of the tube face up. Attach the ends of the rear hopper tube onto the ends of the lower hopper side tubes. Fasten together using plastic plugs.



5. **(Figure 13)** Place the assembled lower hopper tubes into the bottom of the hopper bag.
6. **(Figure 13)** Attach the ends of the lower hopper side tubes to the inside of the upper side tubes using two $\text{Ø}9.5 \times 25$ clevis pins inserted from the inside, and two hair cotter pins $\text{Ø}3$.

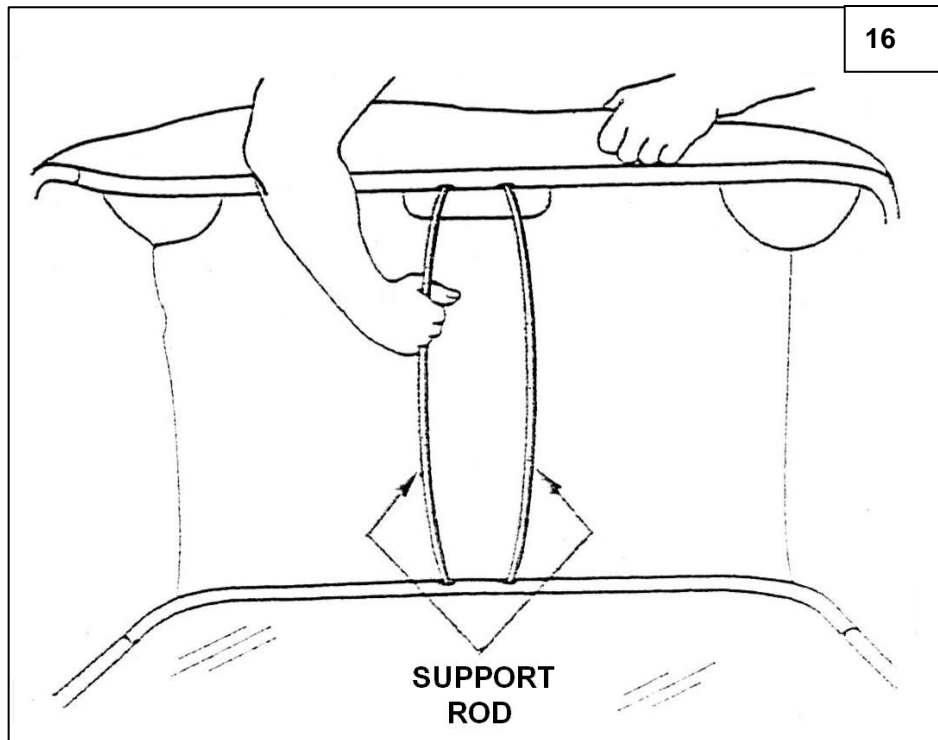


7. **(Figure 14)** Insert the bag frame strap into the stitched sleeve along the front edge of the bag bottom.
8. **(Figure 14)** Attach the bag frame strap to the lower hopper side tubes using two Ø6X37 clevis pins and two hair cotter pins Ø2.
9. **(Figure 15)** Secure the bag corners around the lower hopper side tubes by snapping the bag flaps to the bag bottom on both sides.

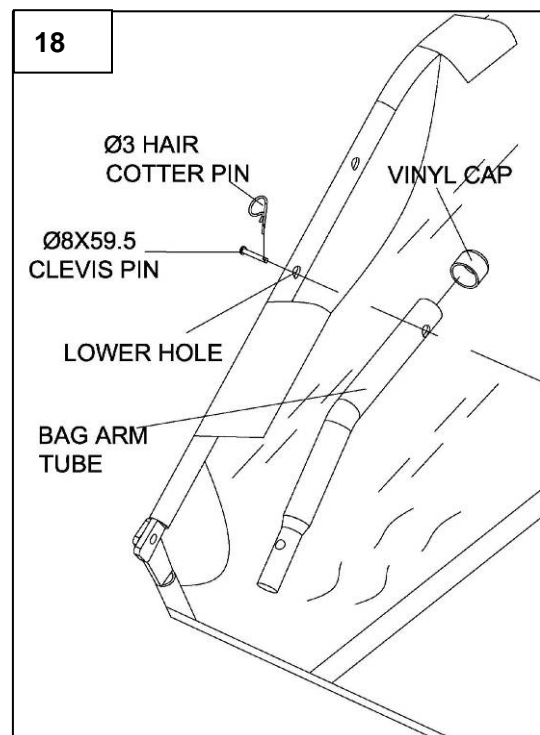
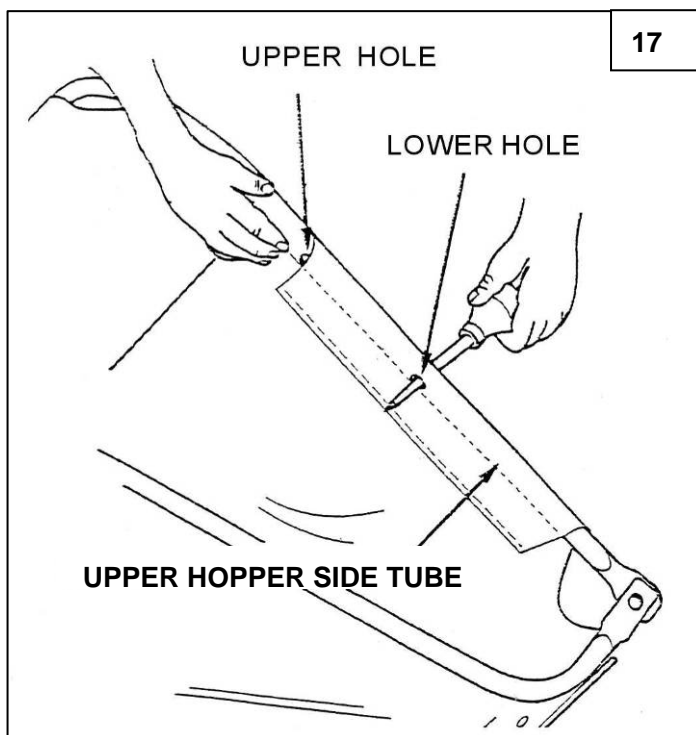


IMPORTANT: Do not over bend the support rods during the following step. Over bending will cause the steel rods to lose supporting tension.

10. **(Figure 16)** Tip the hopper onto its back to assemble the two hopper support rods. Bend the rods just enough to fit the ends of each rod into the holes in the upper and lower rear hopper tubes.

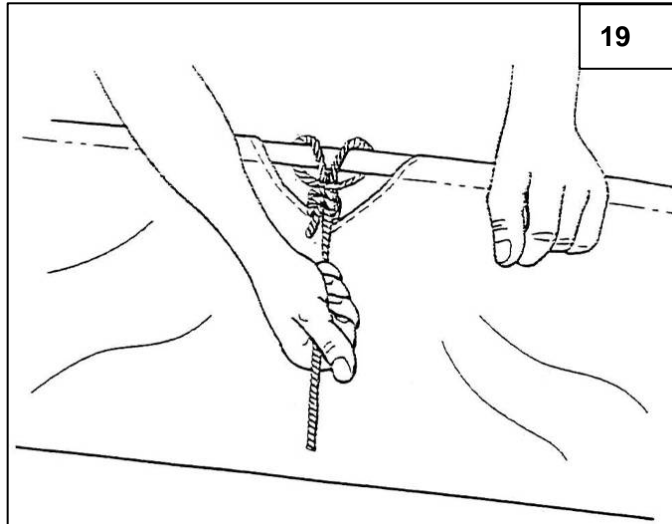


11. **(Figure 17)** Feel along the stitched flap on the hopper bag to locate the lower hole in each upper hopper side tube. Make a hole through both sides of the stitched flaps in line with the lower hole; ideally you should use a bradawl.

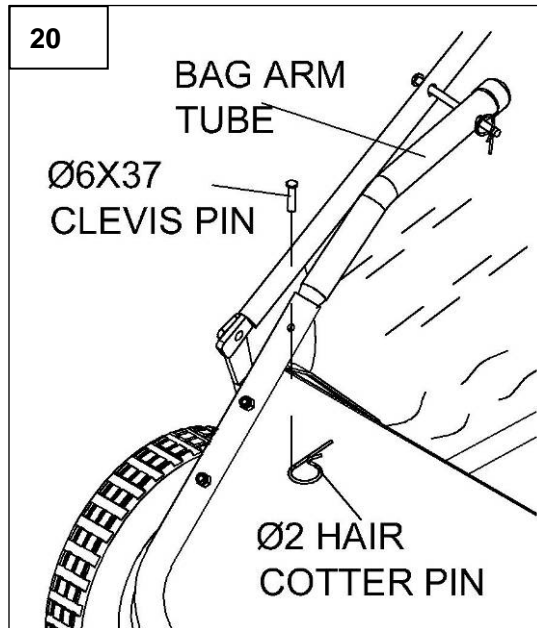


12. **(Figure 18)** Insert a Ø8X59.5 clevis pin through the lower hole in each upper hopper side tube. Next assemble a bag arm tube onto each clevis pin and secure it with a hair cotter pin Ø3.

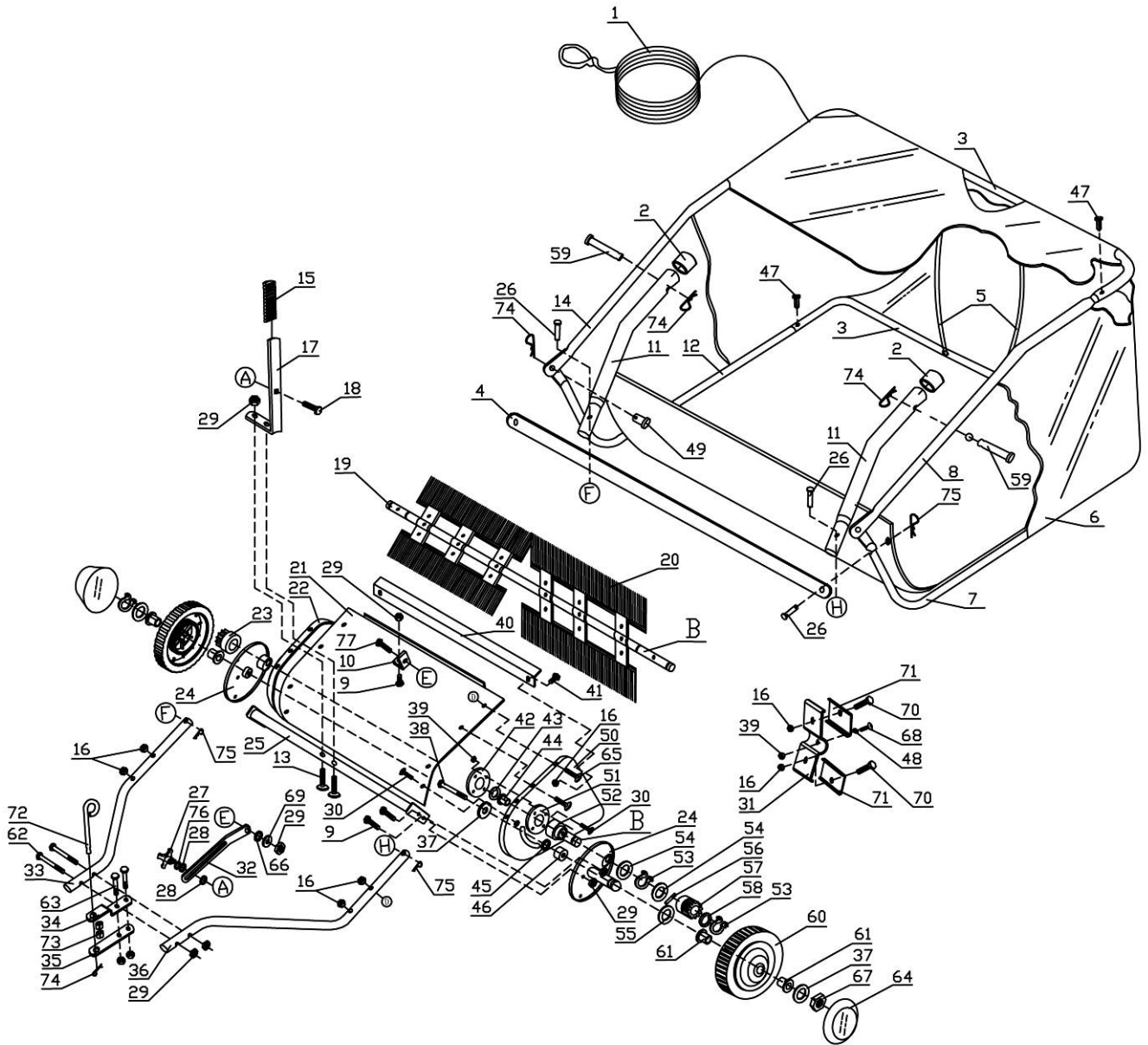
13. **(Figure 19)** Secure the rope to the centre of the top rear hopper tube.



14. **(Figure 20)** To attach the hopper bag to the sweeper, slide the ends of the bag arm tubes into the ends of the sweeper's hitch tubes and secure with two Ø6X37 clevis pins and hair cotter pins Ø2.



PARTS DIAGRAM



PARTS LIST

No.	Part No.	Description	Qty.	No.	Part No.	Description	Qty.
1	TH181-1	Hopper Rope	1	40	TH181-40	Connecting Rod	1
2	TH181-2	Vinyl Cap	2	41	TH181-41	Hex Bolt M6x12	2
3	TH181-3	Hopper Frame Tube (Rear)	2	42	TH181-42	Dust Cover Retainer	2
4	TH181-4	Bag Frame Strap	1	43	TH181-43	Inside Star Washer	2
5	TH181-5	Hopper Support Rod	2	44	TH181-44	Brush Shaft Bushing	2
6	TH181-6	Hopper Bag	1	45	TH181-45	Spacer Bushing	2
7	TH181-7	Lower Hopper Frame Tube (L.H.)	1	46	TH181-46	Spacer for Axle	2
8	TH181-8	Upper Hopper Frame Tube (L.H.)	1	47	TH181-47	Plastic Bolt	4
9	TH181-9	Hex Bolt M8x16	5	48	TH181-48	Star Washer Ø5	6
10	TH181-10	Angle Bracket	1	49	TH181-49	Clevis Pin C	2
11	TH181-11	Bag Arm Tube	2	50	TH181-50	End Plate (L.H.)	1
12	TH181-12	Lower Hopper Frame Tube (R.H.)	1	51	TH181-51	Special Washer	2
13	TH181-13	Hex Bolt M8x40	2	52	TH181-52	Bushing	2
14	TH181-14	Upper Hopper Frame Tube (R.H.)	1	53	TH181-53	Retaining Ring Ø15	4
15	TH181-15	Height Adjust Grip	1	54	TH181-54	Adj. Washer A	4
16	TH181-16	Lock Nut M6	18	55	TH181-55	Adj. Washer C	2
17	TH181-17	Height Adjustment Handle	1	56	TH181-56	Dowel Pin (Drive)	2
18	TH181-18	Carriage Bolt M8x30	1	57	TH181-57	Pinion Gear (L.H.)	1
19	TH181-19	Brush Shaft	1	58	TH181-58	Adj. Washer B	2
20	TH181-20	Brush	4	59	TH181-59	Clevis Pin D	2
21	TH181-21	Wrapper	1	60	TH181-60	Wheel & Tire Assembly	2
22	TH181-22	End Plate (R.H.)	1	61	TH181-61	Wheel Bushing	4
23	TH181-23	Pinion Gear (R.H.)	1	62	TH181-62	Hex Bolt M8x65	2
24	TH181-24	Dust Cover Assembly	2	63	TH181-63	Hex Bolt M8x50	2
25	TH181-25	Height Adjustment Tube Assy	1	64	TH181-64	Hub Cap	2
26	TH181-26	Clevis Pin Ø6x37	4	65	TH181-65	Hex Bolt M6x35	4
27	TH181-27	Wing Knob	1	66	TH181-66	Spacer Bushing for Height Adj. Strap	1
28	TH181-28	Washer	2	67	TH181-67	Nylon Lock Nut M10	2
29	TH181-29	Hex Lock Nut M8	12	68	TH181-68	Hex Bolt M5x25	6
30	TH181-30	Slotted Pan Head Screw M5x12	14	69	TH181-69	Big Flat Washer Ø8	1
31	TH181-31	Retainer Brush	6	70	TH181-70	Hex Bolt M6x20	12
32	TH181-32	Height Adjustment Strap	1	71	TH181-71	Retainer Brush	12
33	TH181-33	Hitch Tube (R.H.)	1	72	TH181-72	Hitch Pin	1
34	TH181-34	Hitch Bracket	1	73	TH181-73	Cotter Bearing	2
35	TH181-35	Hitch Bracket (Straight)	1	74	TH181-74	R Pin Ø3	5
36	TH181-36	Hitch Tube (L.H.)	1	75	TH181-75	R Pin Ø2	4
37	TH181-37	Big Flat Washer Ø10	4	76	TH181-76	Big Flat Washer	1
38	TH181-38	Hex Bolt M10x85	2	77	TH181-77	Hex Bolt M8x20	1
39	TH181-39	Nylon Lock Nut M5	20				

To order spare parts and see the complete range of garden machinery
and garden equipment from Handy, visit:

www.thehandy.co.uk

Spares & Support: 01793 333212

